



23252 Del Lago Dr. Suite C  
Laguna Hills, CA 92653

Phone: 949-583-7191 Fax: 949-916-4869

E-mail: jim@harmonracingcells.com

Name: Larry Haynes  
Company LCH Restorations  
Santa Fe, NM

Phone: 505-670-3949

Fax:

Cell;

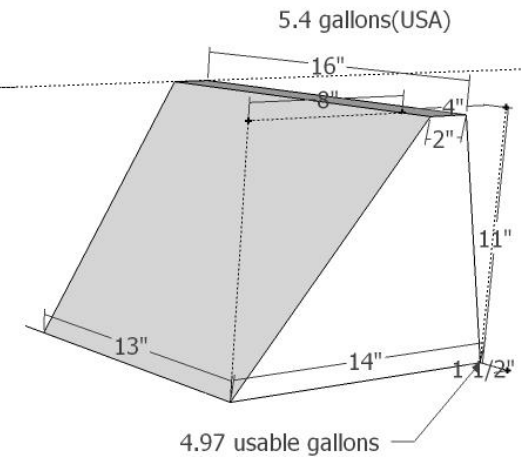
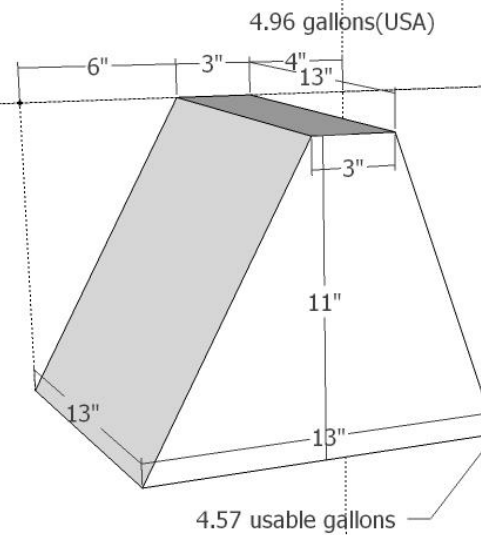
E mail: lhaynes99@gmail.com

Quote Date: 12-5-11

Serial #

Notes 1973 Elden FF

OPTIONS	SIZE	SUBTOTAL
Bladder	4.5	435.52
Can	no	0.00
Nipple	yes/fill	64.40
Collector	no	0.00
Tube	no	0.00
Baffle	no	0.00
Plate(s)	4x6 and 6 hole	101.85
Fill(s)	no	0.00
Vent	6	31.66
Pickup	6	14.47
Return	no	0.00
Sender/dips tick	no	0.00
ohms/wire	no	0.00
Fuel System	no	0.00
Install	no	0.00
RUSH	no	0.00
Shipping	no	0.00
<b>Subtotal</b>		<b>647.91</b>



Sig. \_\_\_\_\_

Date \_\_\_\_\_

All orders require 50% deposit to confirm order

Quotes are good for 90 days

Sign Date and fax back to 949-916-4869 with payment information to confirm the order.